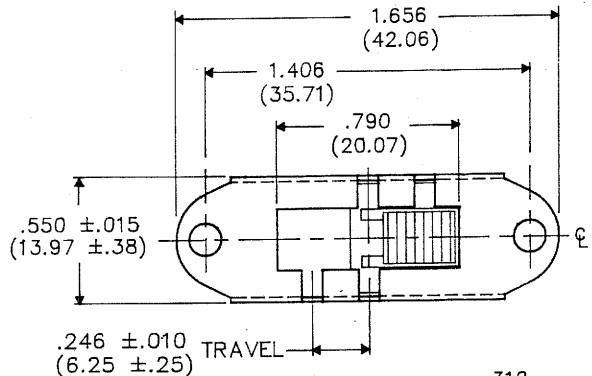


InActive

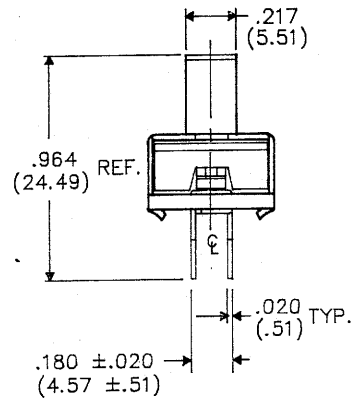
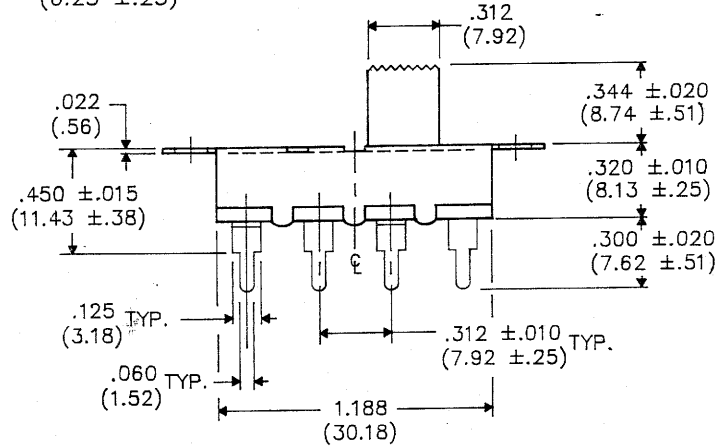
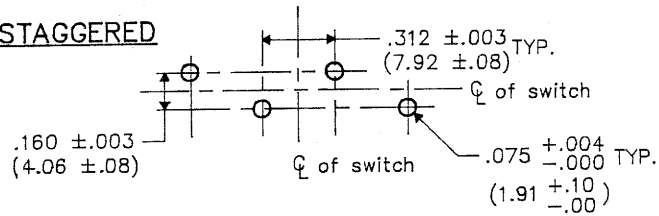
DIMENSIONS IN INCHES (MILLIMETERS)
DO NOT SCALE DRAWING...

Drawing No. **G-329S-0001**



P.C. LAYOUT

STAGGERED



B- FORM-0

REVISIONS

1	UPDATED & REDRAWN, ADDED P.C. LAYOUT, DGW 6-30-94 .312 WAS .307 & REMOVED .072 DIA. JUL 1 1994
---	---

CW INDUSTRIES
Southampton, Pa. 18966

TOLERANCES UNLESS OTHERWISE SPECIFIED
2 Place decimal ±.010 METRIC
3 Place decimal ±.005 | 1 Place dec. ± .25 MM
Angles ±1° | 2 Place dec. ±.13 MM

Made for CW IND.

Drawn by: DGW 6-30-94

Checked by: G.GULL 7-6-94

Approval: [Signature] 7-2-94

Title

**SWITCH
ASSEMBLY
S.P.- 3 POS.**

Division

SWITCH

Drawing No.

G-329S-0001

PDF File Made